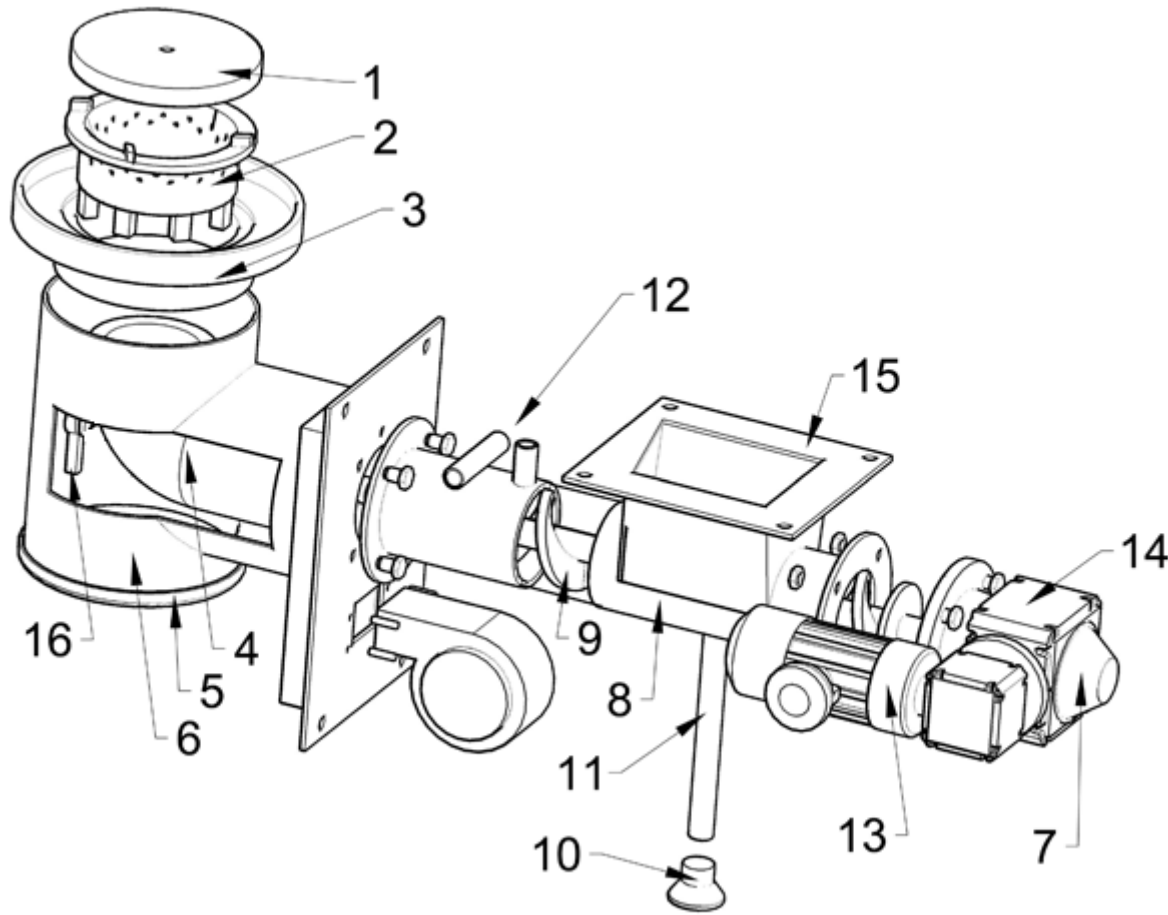


# Burner scheme



1. deflector
2. inner wreath
3. outer wreath
4. cast iron elbow
5. bottom cover of chamber
6. chamber
7. cover of gear box
8. feeding screw tube
9. feeding screw
10. strut
11. underlay
12. threaded pipe
13. engine
14. gear box
15. fuel tank flange
16. drive and drive sleeve